

Assembly Instructions


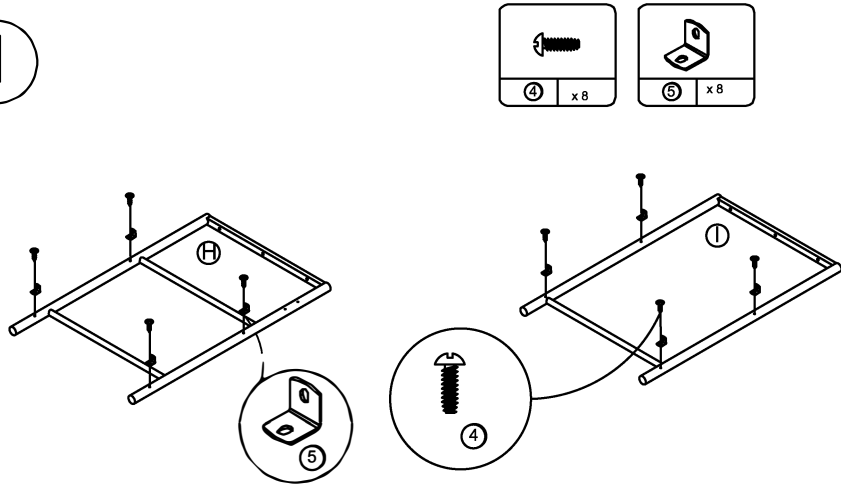
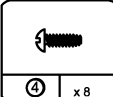
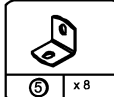
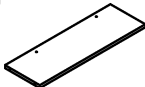
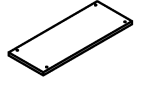


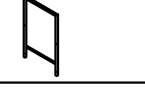
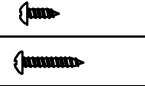
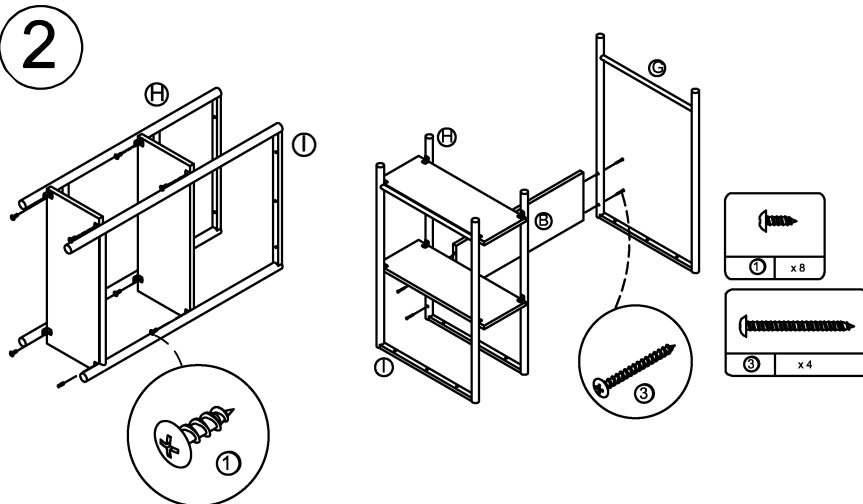
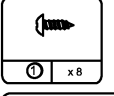
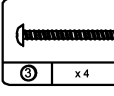
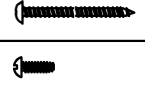



CAUTION:

1. This item is made of Hollow Board and Metal Frame. Make sure you have all parts ready before you start assembling.
2. Assemble on a dry, soft, smooth and clean surface avoid scratching the surface of the unit.
3. Do not place hot items such as coffee cups directly on the surface of the unit.
4. Do not sit, stand on or drag the unit.
5. Avoid direct sunlight.
6. Do not use abrasive materials and solvents. Do not clean with detergent or chemicals.

7. When cleaning, the surface, use a damp cloth or dry clean cloth.
 8. For indoor use only.
- Maximum safe load for tabletop : 30kgs/66lbs

WARNING:

Keep away from children and babies until assembly is complete.
This package contains small parts and sharp points. Adult assembly required.
Take care if using power tools to assembly the unit.

	A. Table Top Panel	1PC	<p>1</p> 	 x8  x8
	B. Rear Panel	1PC		
	C. Shelf	2PCS		
	G. Left Metal Frame	1PC		
	H. Middle Metal Frame	1PC		
	I. Right Metal Frame	1PC		
	1. Screw M4.2X13MM	8PCS	<p>2</p> 	 x8  x4
	2. Screw M4.2X25MM	9PCS		
	3. Screw M4.2X45MM	4PCS		
	4. Thread Cutting Screw 4.2x13MM	8PCS		
	5. Angle Bracket	8PCS		